

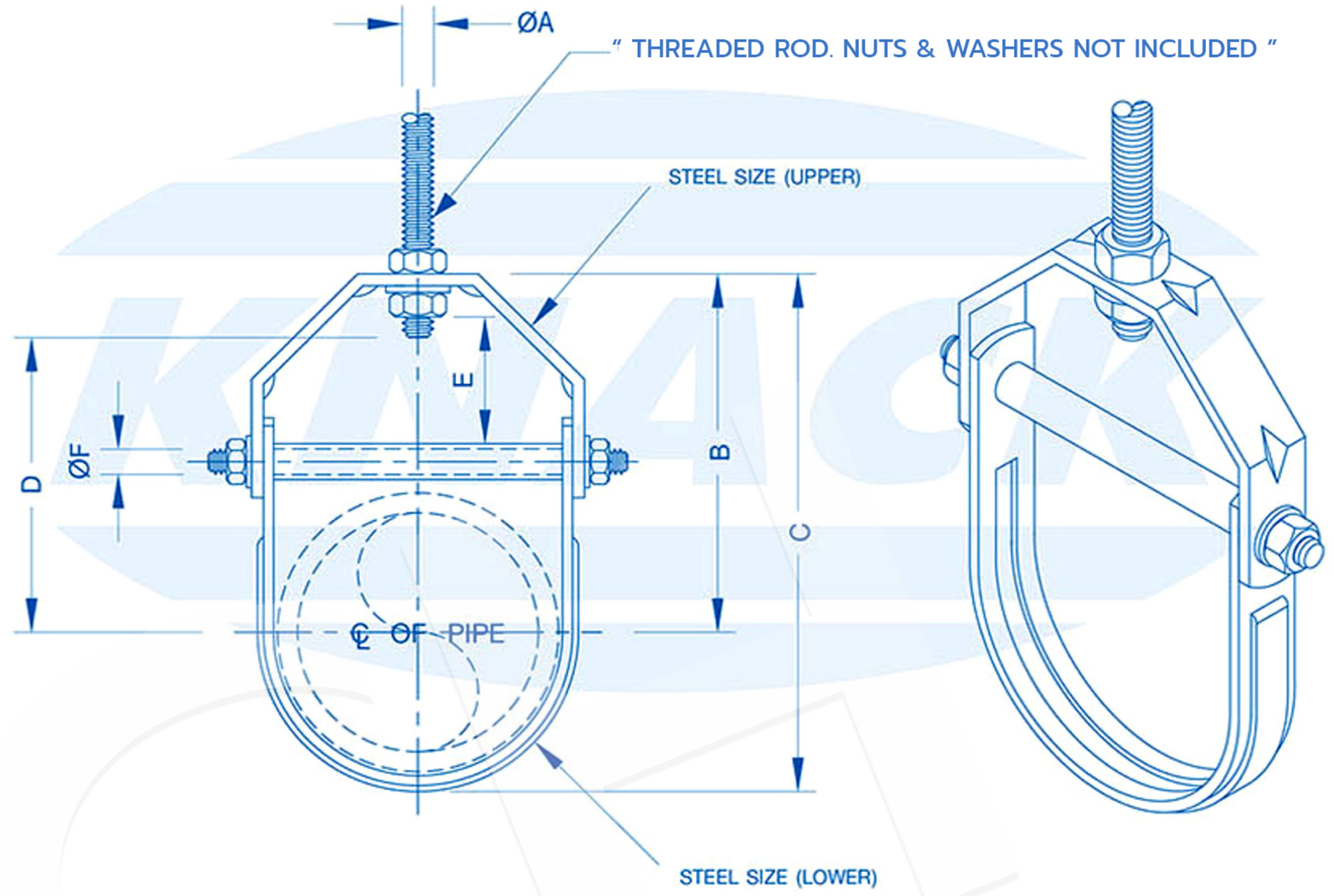


PIPE HANGERS & SUPPORTS

FIGURE H 531-L LIGHT-DUTY ADJUSTABLE CLEVIS HANGER



- **MATERIAL** : CARBON STEEL
- **FINISH** : ELECTRO - GALVANIZED. HOT DIP - GALVANIZED
- **CONFORMS WITH** : SPECIFICATION WW-H-171E (TYPE 1) MSS SP-69



NOMINAL	PIPE SIZE	STEEL SIZE		ROD SIZE		B	C	D	Adjustment E	F
		UPPER	LOWER	A						
INCH	MM.			INCH	MM.					
2	50	2.5 x 25	2.3 x 25	3/8	9.5	93	130	79	23	7.9
2 1/2	65	4 x 30	2.5 x 30	1/2	12.7	104	150	85	24	7.9
3	80	4 x 30	2.5 x 30	1/2	12.7	125	177	106	30	7.9
4	100	4 x 30	2.5 x 30	1/2	12.7	144	208	125	39	9.5
5	125	5 x 32	4 x 32	5/8	15.9	178	258	155	46	12.7
6	150	5 x 38	4 x 38	5/8	15.9	210	303	187	62	12.7
8	200	5 x 38	4 x 38	5/8	15.9	260	375	240	95	12.7